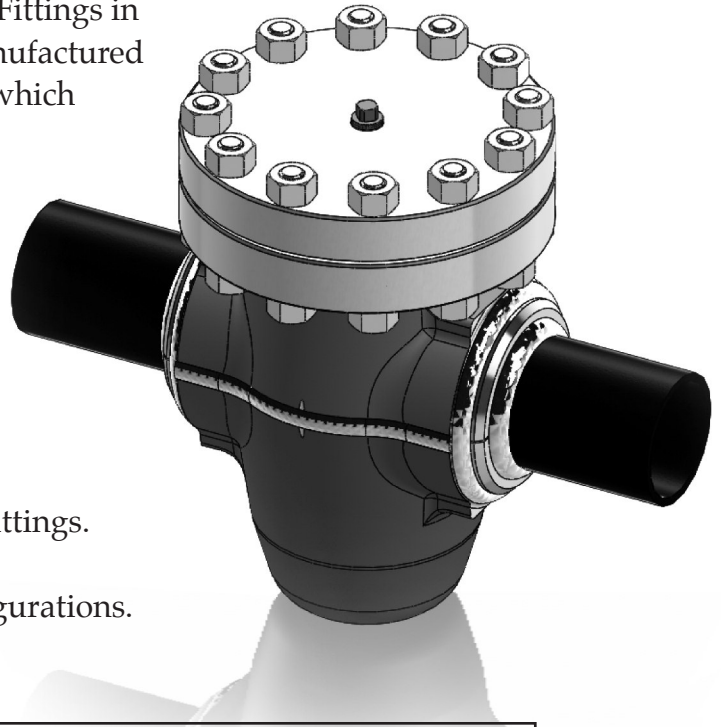


NEW 6" X 4" NO-BLO[®] Stopper Fittings

Mueller Co. now offers NO-BLO[®] Line Stopper Fittings in 6" X 4" size configurations. These fittings are manufactured with 4" reducing rings welded into the fittings which allow for installation onto 4" steel pipe.

Benefits

- Assures NO-BLO Shutoff for varying 4" steel pipe wall thicknesses.
- Provides additional flow capacity when used for bottom-out applications.
- Allows standardization of equipment.
- Existing 6" Thin Wall NO-BLO Tapping and Stopping Equipment is used to tap and stop fittings.
- Factory welded reducing rings.
- Available in Bottom-In and Bottom-Out configurations.



PART NUMBER	6" X 4" BOTTOM IN FITTINGS
H-1727504 104	6" X 4" THIN WALL CLASS 150 FLANGE
H-1727604 104	6" X 4" THIN WALL CLASS 300 FLANGE
H-1727704 104	6" X 4" THIN WALL CLASS 400 FLANGE
H-1727804 104	6" X 4" THIN WALL CLASS 600 FLANGE
	6" X 4" X 6" BOTTOM OUT FITTINGS
H-1728004 104	6" X 4" (6") BOTTOM OUT - THIN WALL CLASS 150 FLANGE
H-1728104 104	6" X 4" (6") BOTTOM OUT - THIN WALL CLASS 300 FLANGE
H-1728204 104	6" X 4" (6") BOTTOM OUT - THIN WALL CLASS 400 FLANGE
H-1728304 104	6" X 4" (6") BOTTOM OUT - THIN WALL CLASS 600 FLANGE
	6" X 4" X 4" BOTTOM OUT FITTINGS
H-1728005 964	6" X 4" (4") BOTTOM OUT - THIN WALL CLASS 150 FLANGE
H-1728105 964	6" X 4" (4") BOTTOM OUT - THIN WALL CLASS 300 FLANGE
H-1728205 964	6" X 4" (4") BOTTOM OUT - THIN WALL CLASS 400 FLANGE
H-1728305 964	6" X 4" (4") BOTTOM OUT - THIN WALL CLASS 600 FLANGE