

Product Advisory

Form 13832

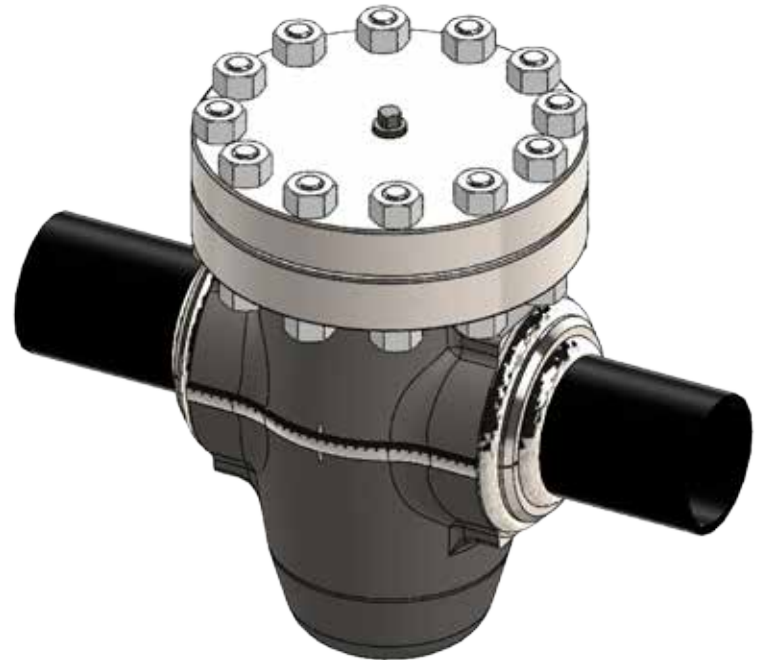
Updated 08.17.17

New 4"x2", 6"x4" & 6"x5" NO-BLO® Stopper Fittings

Mueller Co. now offers NO-BLO Line Stopper Fittings in 4"x2", 6"x4", and 6"x5" size configurations. These fittings are manufactured with reducing rings welded into the fittings which allow for installation onto small diameter steel pipe.

Benefits

- Assures NO-BLO shut-off for varying steel pipe wall thicknesses
- Provides additional flow capacity when used for bottom-out applications
- Allows standardization of equipment
- Existing NO-BLO tapping and stopping equipment is used to tap and stop fittings
- Factory welded reducing rings
- Available in bottom-in & bottom-out configurations
- Ability to utilize steel wedge stoppers on higher pressure 2" steel pipe



4"x2" Bottom-In Fitting

Part Number	Description
H-1725604 197	4"x2" bottom-in CL300 flange

4"x2"x4" Bottom-Out Fitting

Part Number	Description
H-1726104 965	4"x2"x4" SCH40 bottom-out - CL300 flange

6"x4"x4" Bottom-Out Fittings

Part Number	Description
H-1728005 964	6"x4"x4" SCH40 bottom-out - thin wall CL150 flange
H-1728105 964	6"x4"x4" SCH40 bottom-out - thin wall CL300 flange
H-1728205 964	6"x4" x4" SCH40 bottom-out - thin wall CL400 flange
H-1728305 964	6"x4"x4" SCH40 bottom-out - thin wall CL600 flange

6"x4"x6" Bottom-Out Fittings

Part Number	Description
H-1728004 104	6"x4"x6" SCH40 bottom-out - thin wall CL150 flange
H-1728104 104	6"x4"x6" SCH40 bottom-out - thin wall CL300 flange
H-1728204 104	6"x4"x6" SCH40 bottom-out - thin wall CL400 flange
H-1728304 104	6"x4"x6" SCH40 bottom-out - thin wall CL600 flange

6"x4" Bottom-In Fittings

Part Number	Description
H-1727504 104	6"x4" thin wall CL150 flange
H-1727604 104	6"x4" thin wall CL300 flange
H-1727704 104	6"x4" thin wall CL400 flange
H-1727804 104	6"x4" thin wall CL600 flange

6"x5"x6" Bottom-Out Fitting

Part Number	Description
H-17280 805	6"x5"x6" SCH40 bottom-out - thin wall CL150 flange



500 W. Eldorado St.
Decatur, IL 62522
Toll Free: 1.800.798.3131

217.423.4471 (outside the U.S.)
www.muellergas.com
moreinfo@muellercompany.com

Copyright © 2017 Mueller Co., LLC. All Rights Reserved.

The trademarks, logos and service marks displayed in this document herein are the property of Mueller Co., LLC, its affiliates or other third parties. Products above marked with a section symbol (§) are subject to patents or patent applications. For details, visit www.mwppat.com.